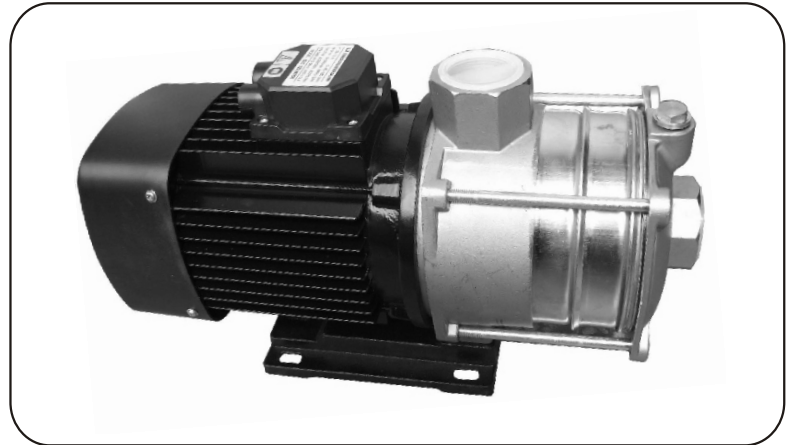


HORIZONTAL MULTI-STAGE CENTRIFUGAL PUMP MANUAL INSTRUCTION



Application

CM series are mini horizontal centrifugal pump, have a wide application in domestic water supply, industry and constructions.

They are used for:

- Air-conditioning system
- Cooling system
- Industrial cleaning, conveyance and circulation of liquid.
- Water treatment (Water purification)
- Domestic water supply
- Boosting, environment
- Many other special using.

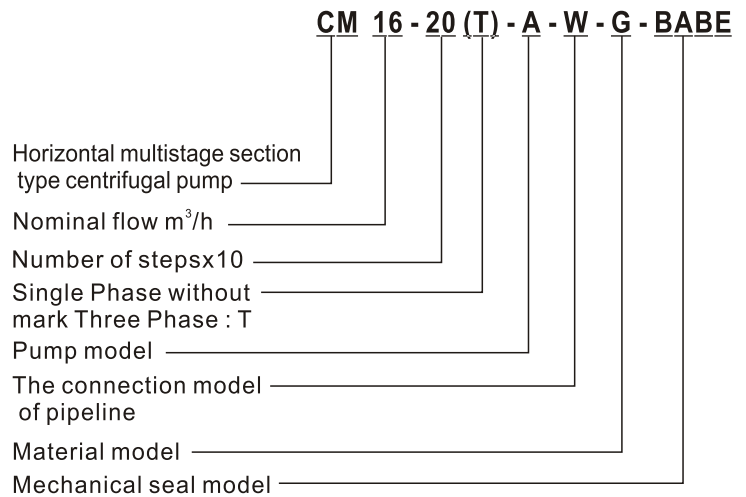
Working conditions

- Diluted, clean, non-flammable, and non-explosive
- liquid without solid grain or fibers ;
- Liquid temperature :
low temperature: -20°C ~ +70°C;
standard model: +15°C ~ +70°C;
high temperature: +70°C ~ +104°C;
- Max. environmental temperature: 50°C
- Max. operating pressure: 10 bar
- Max. suction pressure is limited by max. Operating pressure

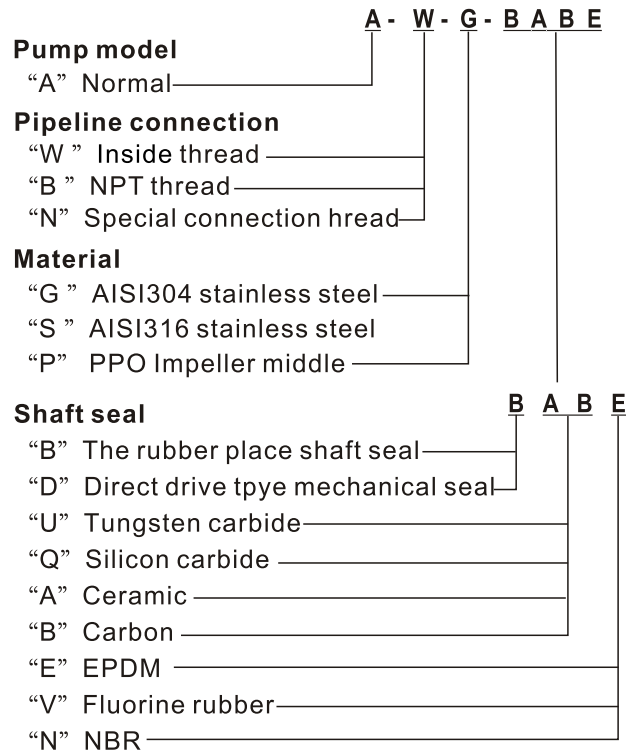
Motor

- 2-pole induction motor;
- three-phase: 220/380V/50Hz, 240/415V/50Hz
- Single-phase: 220~240V/50Hz
- Single-phase with input thermal protector
- Insulation class: F
- Protection: IP55
- Continuous duty

Connotation of the type



code number explanation



Performance table

Model		Driving motor P ₂ (kW)	Q (m ³ /h)	H (m)											
Single Phase	Three Phase			8	10	12	14	16	18	20	22	24			
CM16-10	CM16-10T	1.0		12	11.5	11	10.5	10	9	8	7	6			
CM16-20	CM16-20T	1.5		24	23	22	21	20	19	16	14	12			
CM16-30	CM16-30T	2.2		38	36	34	33	30	28	26	23	20			
	CM16-40T	3.0		50	48	46	44	40	38	36	32	28			

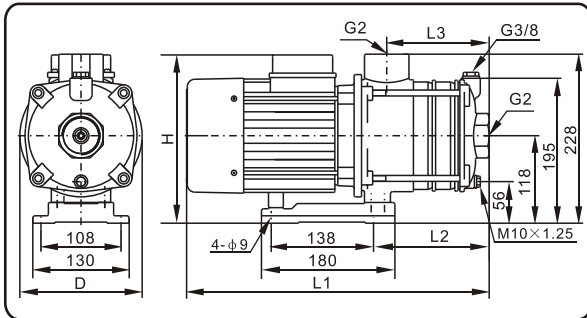
Model		Driving motor P ₂ (kW)	Q (m ³ /h)	H (m)											
Single Phase	Three Phase			10	12	14	16	18	20	22	24	26	28		
CM20-10	CM20-10T	1.0		13	12.5	12	11.5	11	10.5	10	9	8.5	7.5		
CM20-20	CM20-20T	1.85		25	24	23	22	21	20	18	16	14	12		
	CM20-30T	3.0		39	38	36	35	33	31.5	30	27	24	21		
CM20-40T		4.0		50	48	46	44	42	40	36	32	28	24		

Performance curve resource:

Performance curve are based on the following

1. Performance based on actual speed of standard motor.
2. Carrying on test by 20°C water without air.
3. Curve are suitable for delivering liquid ($\nu = 1\text{mm}^2/\text{s}$, $\rho = 1\text{g}/\text{cm}^3$).
4. The black curve are recommended performance, the small ones are only for reference.
5. Make sure pumps running not less than min-flow, to protect from burning due to growing heating.

Contour dimension and weight



Model	Size(mm)									
	Single-phase					Three-phase				
	L1	L2	L3	H	D	L1	L2	L3	H	D
CM16-10(T)	326	96	81	244	165	326	96	81	222	165
CM16-20(T)	406	141	126	254	165	406	141	126	232	165
CM16-30(T)	495	186	171	239	170	451	186	171	232	165
CM16-40T	-	-	-	-	-	556	231	216	239	170
CM20-10(T)	326	96	81	244	165	326	96	81	222	165
CM20-20(T)	448	141	126	239	170	406	141	126	232	165
CM20-30T	-	-	-	-	-	511	186	171	239	170
CM20-40T	-	-	-	-	-	575	316	216	248	195

Performance curve

