

## in.grid

A flexible way to control external heat sources for your spa.



### **Select, use and synchronize alternative heat sources for your spa**

Our new system interface lets you select, use and synchronize alternative heat sources to efficiently keep the spa water warm. Connected to a Y series control system, in.grid acts as a dispatcher of external heating sources such as your heat pump, your central house heating system or your gas heater. in.grid is also a hub to connect up to five single button in.k110 switches to let you control spa accessories.

### **Benefit from energy savings**

With in.grid, you can choose one of its four modes of operation that suits you the best, depending on your external heating system and your climate. Smart modes let you taking full advantage of your external heat sources to optimize your savings.

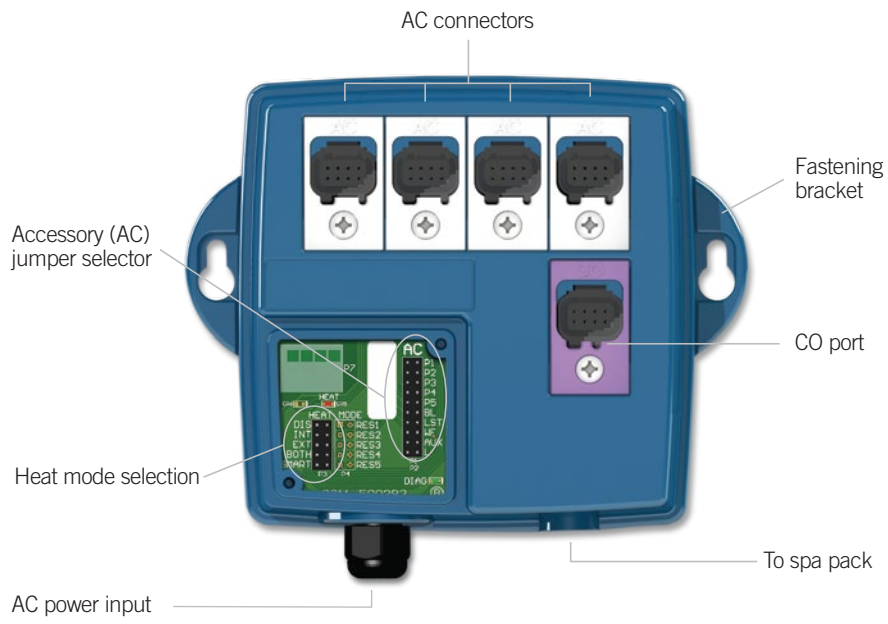
### **Connect up to five single button switches**

in.grid system interfaces are available in five single button in.k110 switches or four switches and a CO port configurations. CO port is used for connecting any device in the communication chain of your system.



# in.grid

Select, use and synchronize alternative heat sources.

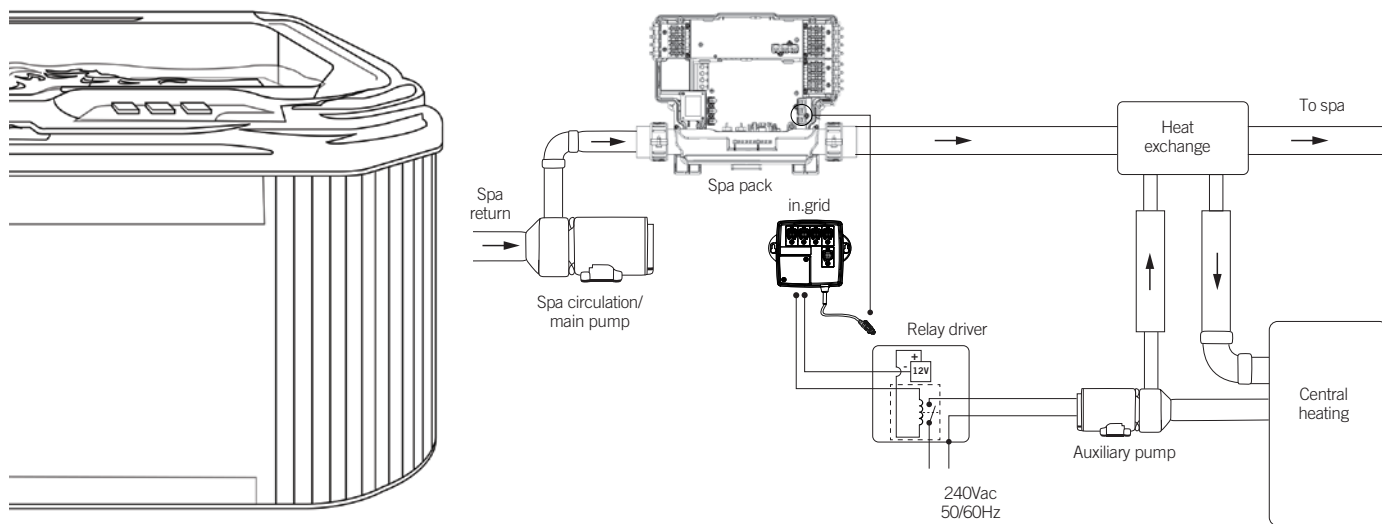


- control external heat source for your spa
- 5 different heating mode of operations
- control your spa accessories with 4 or 5 in.k110 switches
- jumpers selectable for accessory control
- CO port for other accessories
- automatically detected by the spa control system at power up
- compatible with all in.ye and in.yt control system versions
- requires software core 61 revision 46 to operate properly
- 140 °F (60 °C) max. operating temperature

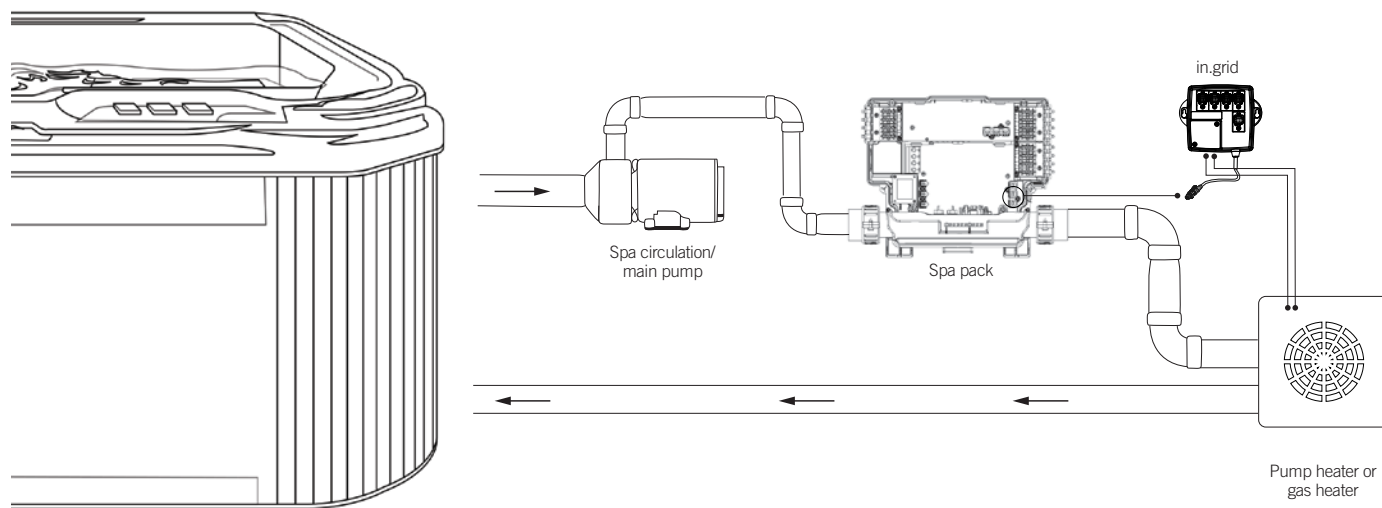


single button in.k110 switch

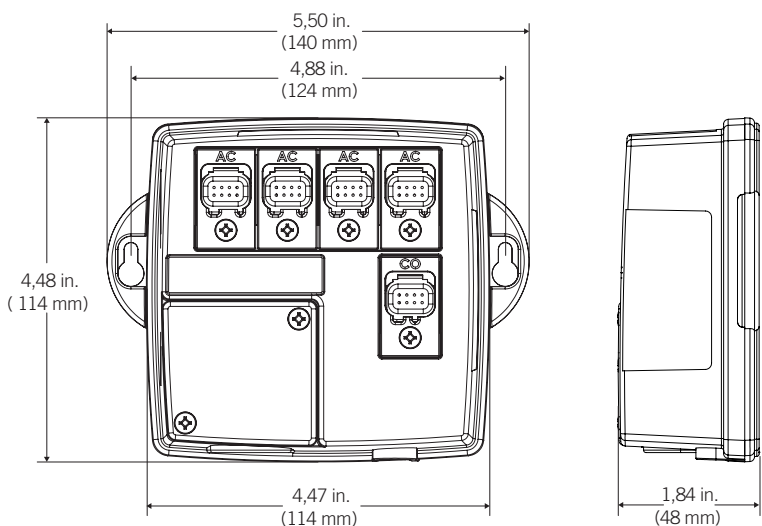
## Installing in.grid with a heat exchange unit



## Installing in.grid with an external heat pump or a gas heater



## in.grid dimensions



in.grid 5 AC model  
(Part #0608-521034)



in.grid 4 AC and CO model  
(Part #0608-521033)



in.grid connection with accessories