

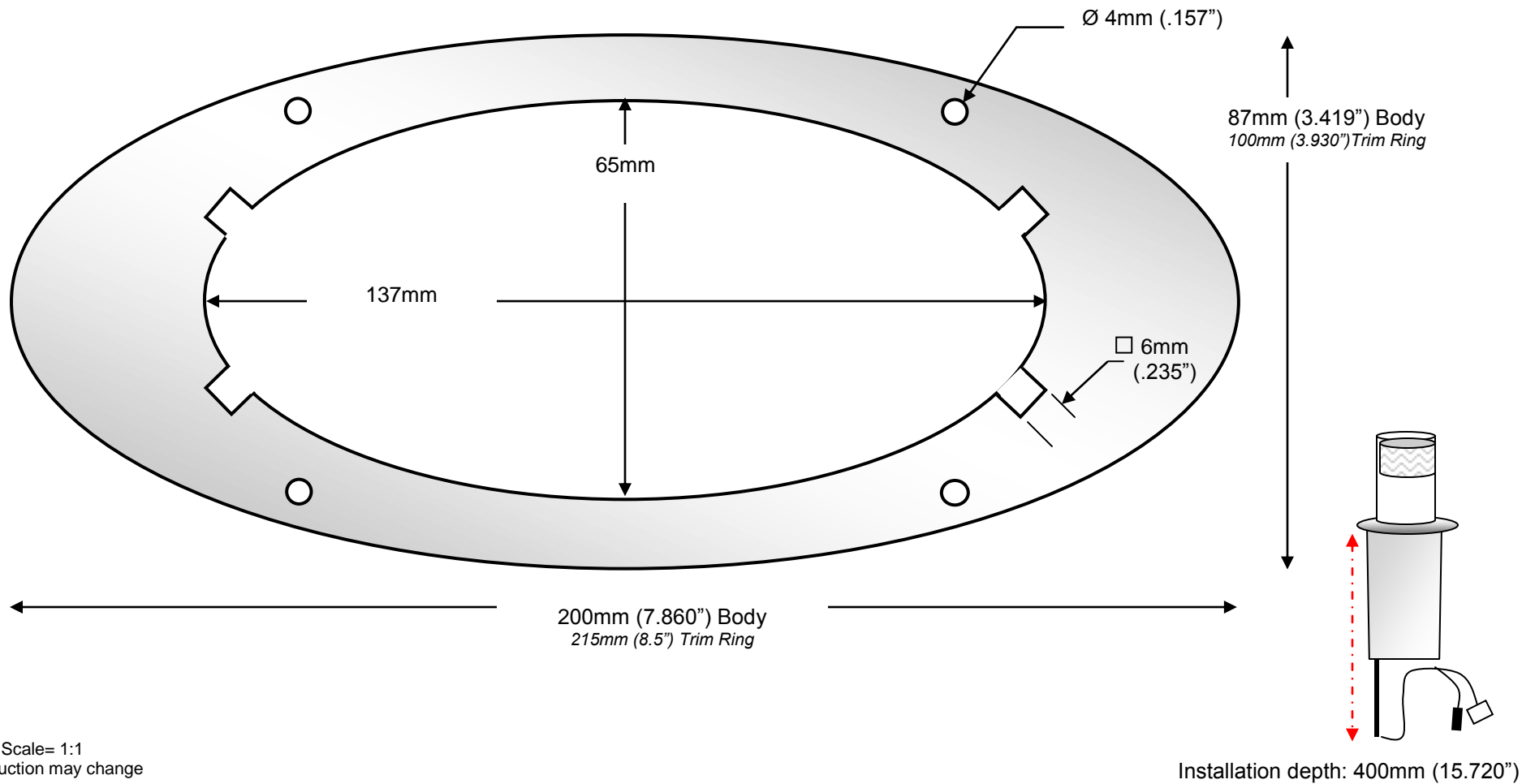
MA-7020 Spa Oval Cutout Template



Installation: Find a suitable location making sure there is clearance for the installed depth. Use a hole saw or other suitable device to make a cutout.

Place the speaker in the cutout and mark and drill holes for the mounting screws. If the panel is too thin or soft for screws use a stainless screw clips.

Attach speaker wires supplied, solid color wire to positive.



Scale= 1:1
Reproduction may change accuracy