

▶▶▶ controls EASY MINI and MINI PLUS



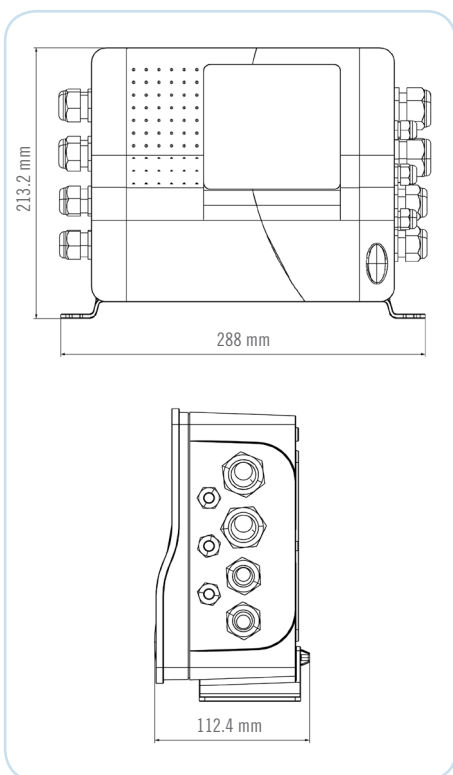
EASY MINI

- ▶ UP TO 2 PUMPS
- ▶ SMART MANAGEMENT OF LOADS
- ▶ AUTOMATIC PROGRAMMING
- ▶ AUTOLEARNING
- ▶ SMALL DIMENSIONS
- ▶ NO SPECIAL CONNECTORS NEEDED
- ▶ EASY INSTALLATION
- ▶ RS 485 PORT

EASY MINI PLUS

- ▶ 2 PUMPS AND CIRCULATION PUMP

EasyMini line is the range of electronic controls for entry level SPAs. Flexible, easy to install, it has the same main characteristics of the EasyMini Line Controls. The “smart management of loads” function optimizes loads activation, capturing the real amperage draw instead of the number of working loads. Automatic configuration of the SPA is possible thanks to a “programming key”, avoiding typical setting procedure through the keypad. The programming key, equipped with an SD card, allows firmware up-date directly on-board. A **standard serial port RS 485** is available, in order to permit the integration of **EasyMini** with other systems or accessories. The control can drive an external heater (max 3.6 kW). Equipped with an optional level sensor, **EasyMini** has also an enhanced safety function which stops loads activation if there is not enough water in the SPA.



MAIN FEATURES

- ▶ Pump 1 (dual speed)
- ▶ Pump 2 (single speed only)
- ▶ Blower
- ▶ Ozone
- ▶ Light
- ▶ Heater up to 3.6 kW
- ▶ PG connectors
- ▶ RS 485 interface (optional)
- ▶ Smart Winter Mode

ELECTRICAL

- ▶ Power supply: max 32A @ 230Vac 50/60 Hz
- ▶ Pump 1: 2Hp @ 230Vac
- ▶ Pump 2: 2Hp @ 230Vac
- ▶ Blower: 1.2 kW @ 230Vac
- ▶ Ozonator: 1A @ 230Vac or 350mA @ 12Vac
- ▶ Light: 2A @ 12Vac
- ▶ Heater: max 3.6 kW @ 230Vac

MAIN KEYPADS

- ▶ K-35 (6 keys)
- ▶ K-9, K-79, K19, K91 (4 keys)

CONFIGURATIONS

- ▶ Pump 1 (2 speed), Blower
- ▶ Pump 1 (1 speed), Pump 2 (1 speed), Blower

EXAMPLES OF KEYPADS AVAILABLE



K19



K9



K79



K91

EASY MINI PLUS.

The same shape and concept of EasyMINI but with one more output and management for a circulation pump (2HP @ 230V)

MAIN KEYPADS

- ▶ K-8 (n. 8 keys); K-35 (n. 6 keys)
- ▶ K-9, K-79, K-19, K-91 (4 keys)

CONFIGURATIONS

- ▶ Circulation pump, Pump 1 (2 speed); Blower
- ▶ Circulation pump, Pump 1 (1 speed); Pump 2 (1 speed), Blower

